

Instructions for Cabinet Installation

Parts Included:

#10 x 2 1/2" Installation Screws*

Tools Needed:

Phillips Head Screwdriver
#3 Phillips bit
Tape Measure
Drill with 3/32" Bit

Tools Needed:

Marking Tool
Carpenter's Level
Studfinder
Clamps
Square

Materials Needed:

#8 x 2 1/2" Screws
Wood Shims

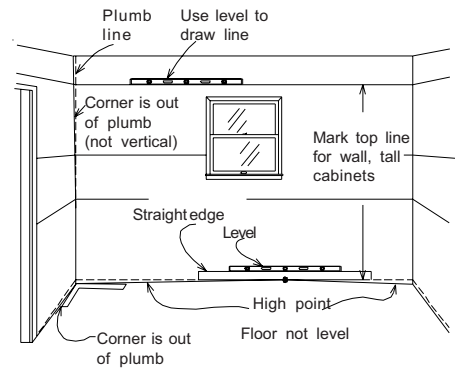
*Not included with all styles.

STEP 1

Inspecting Your New Cabinets: All cabinets are subjected to numerous quality inspections before leaving the factory. Your new cabinets have been carefully packaged to prevent damage during shipping and handling. Unfortunately, damage may occur occasionally in handling between the factory and the final destination. Inspect each cabinet carefully. If damage is discovered, place the cabinet back into the carton and notify your dealer. Also, check your cabinets against your master materials list before beginning installation. This will ensure that the correct cabinets have been delivered.

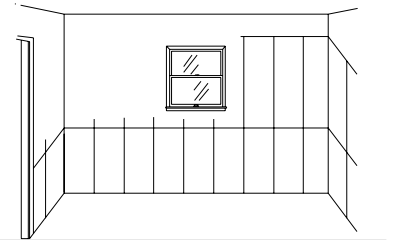
STEP 2

Remove base board and other objects on the wall area where the cabinets are to be installed. Using a straight edge and a level, find the high point in the floor where the cabinets are to be installed. From the high point, mark a level horizontal line on each wall where the cabinets will be attached. From the level lines mark another parallel level horizontal line 35" up for base, 30" for vanity, 54" for wall cabinets and 84", 90" or 96", depending upon your tall cabinet heights. The top of the base, vanity and tall cabinets and the bottom of the wall cabinets will be located at these marks.

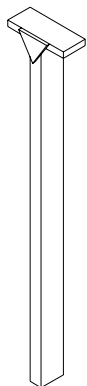


STEP 3

Locate the studs with a stud finder and mark where the cabinets are to be installed. Remove all the doors and drawers from the cabinets before installation. Measure the area to confirm that the kitchen design used will work.

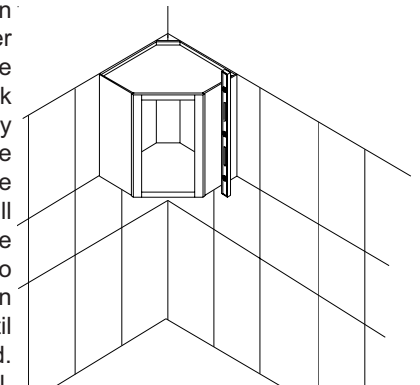


STEP 4



Example of brace used to aide in installing wall cabinets. Shown is a t-brace made of scrap 2x4s and 1x4. Place a piece of scrap carpeting over 1x4 to protect cabinet.

Start installing the wall cabinets in the corner. Place the wall cabinet at the predetermined reference line. It is recommended to use a brace (example: t-brace) to help hold wall cabinets in place. Measure from the corner to the first wall stud mark. Transfer this measurement to the inside of the wall corner cabinet. Mark the placement of the next wall stud. Drill through the wall cabinet back into the prelocated studs with a 3/32" diameter drill bit, approximately 2" deep. The holes should be positioned 3/4" down from the inside top of the cabinet but should come no closer than 2" to any inside vertical edge of the cabinet. Cement, block, brick, or tile walls will require anchors for screws or toggle bolts. These will need to be purchased separately if needed. Insert the #10 x 2 1/2" screws into the holes until they are nearly tight. Must use a #3 phillips bit when fastening the #10 x 2 1/2" screw. Do not tighten the screws until you have finished all final leveling and shimming as needed. Check the front sides and bottoms of all wall cabinets with a level. After the cabinet is level and plumb, tighten the installation screws.



Note: #10 x 2 1/2" installation screws not included with all styles. If not included, recommend purchasing #10 x 2 1/2" washer head screws.

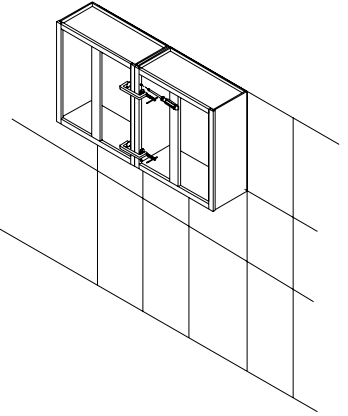
Note: When installing a PDC2430, the cabinet must be attached to the soffit, wall, and at least one run of cabinets.

CAUTION: Never use nails to mount cabinets. The use of nails may void your factory warranty, written or implied.

STEP 5

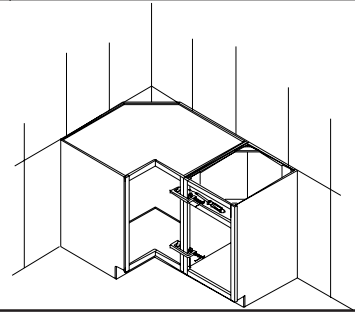
Continue with your wall cabinet installation by placing the next cabinet on the wall at the predetermined reference line. After the two cabinets are mounted to the wall, use clamps and clamp the cabinet face frames together firmly. Be careful to line up the bottom horizontal edges. With a $3/32$ " drill bit, drill starter holes through the face frames near the top and bottom. Insert and tighten the screws. These screws will need to be purchased separately, a #8 x 2 1/2" is recommended. Check cabinet with a level on the cabinet front, sides, and bottom. Shim where necessary. Once the cabinet is level and plumb, tighten all the installation screws and remove the clamps. Continue installing the rest of your wall cabinets in the same manner.

Note: if installing single wall cabinet, follow instructions shown in Step #9 for proper installation.



STEP 6

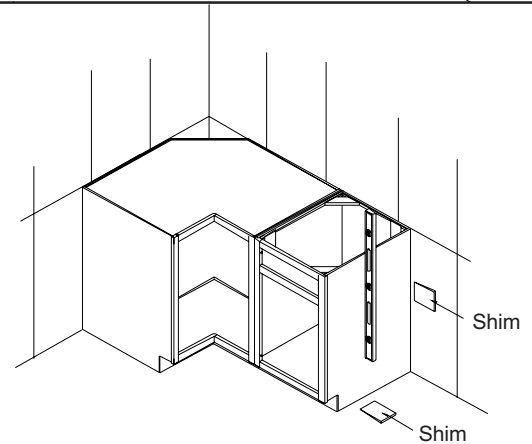
Once the wall cabinets have been installed, the base cabinets can now be installed. Start installing the base cabinets in the corner. Using clamps, align and join the cabinets together at the face frames. Make sure that the face frames align both on the face and vertically. Follow Step 5 for attaching face frames.



STEP 7

Check the cabinet for level and plumb. Shim to fill uneven areas between the floor and base of the cabinet, and between the wall and the back of the cabinet. Failure to do this step could result in damage to the cabinet.

Drill through the cabinet back into the prelocated studs with a $3/32$ " diameter drill bit, approximately 2" deep. The hole should come no closer than 2" to any inside vertical edge of the cabinet. One screw hole should be located in the upper section of the cabinet and one in the lower section.

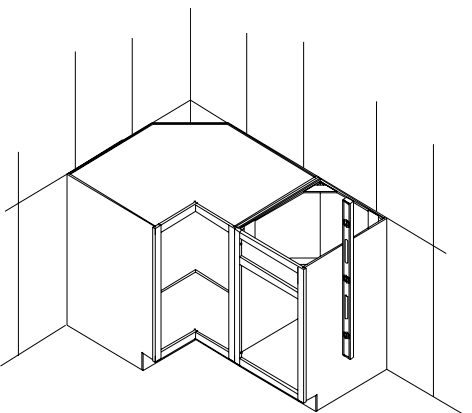


STEP 8

Insert the #10 x 2 1/2" screws into the holes until they are nearly tight. Must use a #3 phillips bit when fastening the #10 x 2 1/2" screws. Make sure the back is fully supported with shims, as needed, and does not bow into any imperfections in the wall. Check the cabinet for level and plumb and adjust as needed. Tighten the screws fully and recheck for level and plumb.

NOTE: #10 x 2 1/2" installation screws not included with all styles. If not included, recommend purchasing #10 x 2 1/2" washer head screws.

If switching door from left to right side of face frame on base and vanity cabinets, the face frame must be predrilled. Using marked locations on face frame as a guide, predrill using a $1/8$ " drill bit, 1" deep. Make sure that all shelf clips are used on the back side of the mullion on all cabinets and on the back panel of 42" wide and wider cabinets.



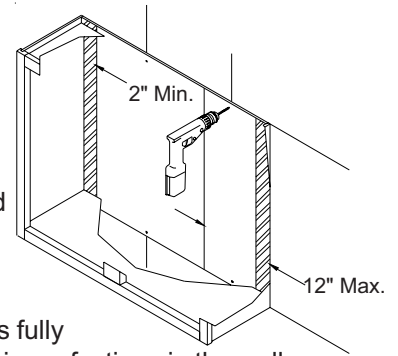
STEP 9

Installing Single Wall Cabinets:

Follow Steps 2 & 3 for preparing the wall for your cabinet. The cabinet should be located so that the studs that you plan to attach it to do not fall within 2" of the inside vertical edges. Make sure the cabinet is level and plumb. Shim to fill uneven areas between the wall and the back of the cabinet. Failure to do this step could result in damage to the cabinet. Pay close attention to the spots where you plan to screw the cabinets to the wall to make sure there are no voids.

Drill through the cabinet back into your pre-located stud(s) with a 3/32" diameter bit, 2 3/8" deep in 4 places. The holes should be no closer than 2" and no further than 12" from any inside vertical edge. The holes should also be located at the top and bottom of the back. The use of #10 x 2 1/2" screws is required. Cement, block, brick or tile walls will require anchors for the screws. These will need to be purchased separately, if needed.

Insert the supplied #10 x 2 1/2" screws into the holes until they are nearly tight. Must use a #3 phillips bit when fastening the #10 x 2 1/2" screws. Make sure that the back is fully supported with shims, as needed, and does not bow into any imperfections in the wall. Check the cabinet for level and plumb and adjust as needed. Tighten the screws down fully and reinstall the shelves and doors. Make sure that the clear shelf clips are used on the back side of the mullion on all applicable cabinets and on the back panel of 42" wide and wider cabinets.



Important: Structural modification of a wall cabinet can significantly weaken the cabinet. For this reason modifications are not recommended, such as cutting the back to clear wall obstructions. If an obstruction exists, we suggest you first try to use cabinet(s) that do not require modifications. If modification is required, the warranty of the cabinet is void and it is the responsibility of the installer to take appropriate steps to compensate for any loss of strength or support due to the modification.

STEP 10

Check for Door and Drawer Alignment:

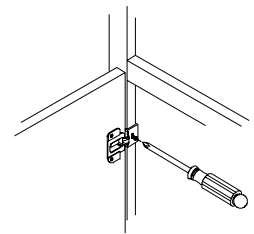
When all of your base cabinets are securely installed to the walls, the next step is to check each door and drawer for proper alignment.

Example: When a drawer front does not lie flush against the face frame, check that each cabinet is level, both vertically and horizontally. You may find it necessary to realign the side-mounted drawer guide. The drawer guide can be adjusted side to side by moving the slide member by hand and making the necessary adjustments until the drawer lies flush against the front frame of the cabinet.

STEP 11

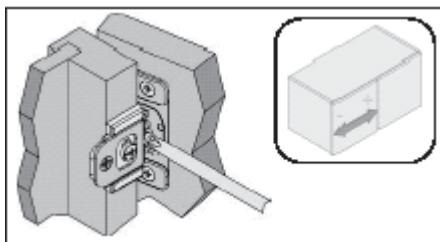
Standard Hinge Adjustment:

The hinge on all framed door styles can be easily adjusted up and down by loosening the hinge screw attached to the door frame. Slide the door up or down until aligned and tighten the screw.

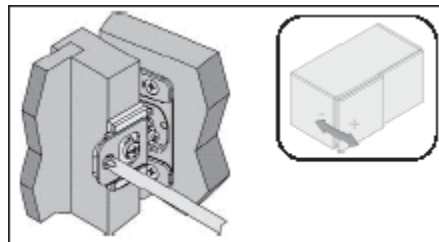


Full Overlay 6-Way Hinge Adjustment:

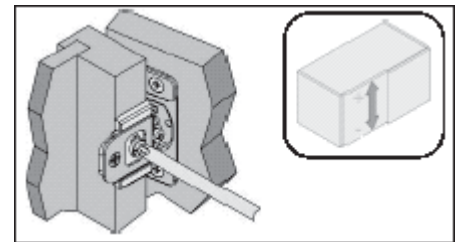
Full overlay style cabinet hinges allow for additional adjustment. They have the "Up and Down" adjustment as mentioned above. They also have "Side to Side" and "In and Out" adjustments. See below for details on adjustments.



(Side to Side Adjustment)



(In and Out Adjustment)



(Up and Down Adjustment)